

SKYMASTER

SR12C

SR14CJ

AICHI GLOBAL SERIES BOOM LIFTS



1

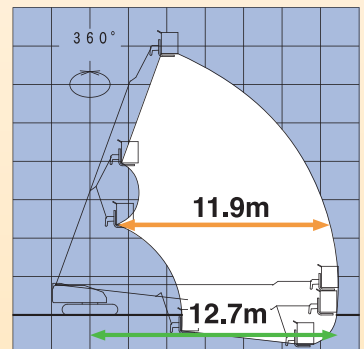
COMPACT BODY

SKYMASTER SR12C &SR14CJ provide low and short dimensions in stowed position. This compact style allows high maneuverability and efficient transportation.

2

WIDE WORKING RANGE

Maximum horizontal outreach and boom fold down position provide wide working range with 3 stage telescopic booms and fly jib.



3

SIMPLE & SMOOTH OPERATION SYSTEM

Individual proportional control levers provide smooth operation.



Photo: Upper control box



Photo: Stowed Style (SR14CJ)

[CAUTION]
ALL PHOTOS: SR14CJ
OPTION DEVICES EQUIPPED,
STANDARD PAINTING COLOR

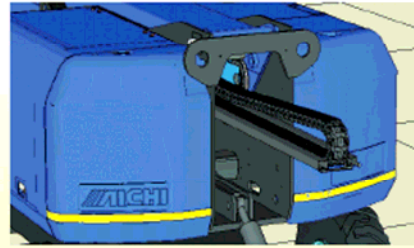
4

IMPROVED SERVICE ABILITY OF MAINTENANCE



THE LARGE INSPECTION COVER

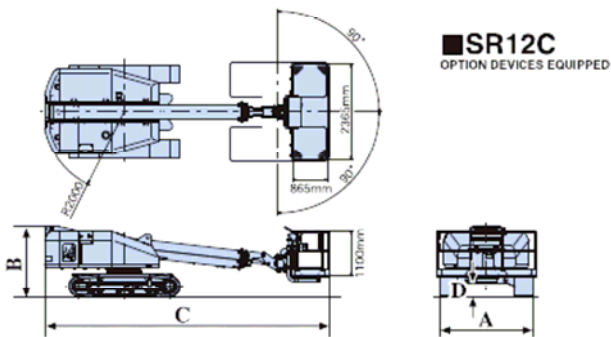
It can provide efficient comfortable inspection environment.



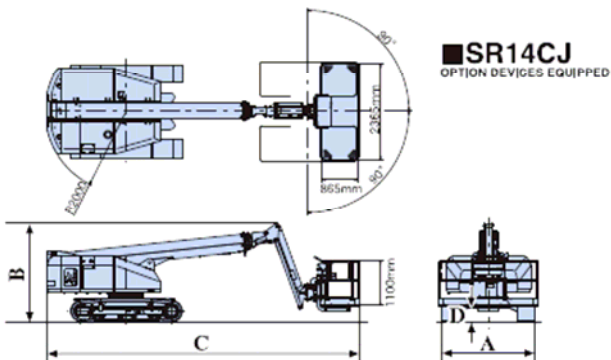
PULL-OUT CABLE SYSTEM

Internal hoses and cables can be pulled out by cartridge

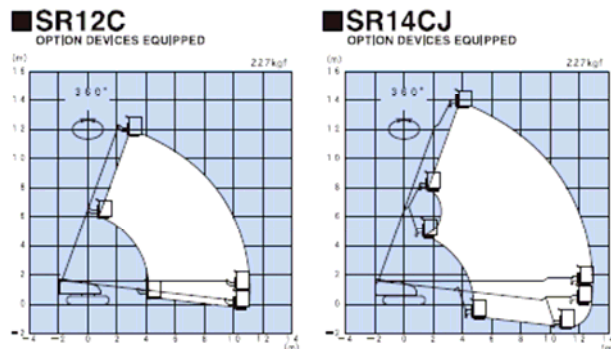
DIMENSIONS



SR12C
OPTION DEVICES EQUIPPED



SR14CJ
OPTION DEVICES EQUIPPED



AICHI CORPORATION

Overseas Sales & Marketing Department
<http://www.aichi-corp.jp>

DISTRIBUTORS

MAJOR SPECIFICATIONS

MODEL			
Model		SR12C	SR14CJ
BASKET			
Basket Capacity	6ft	250kg	
	8ft	227kg	
Basket Height		11.7m	13.6m
Basket Outreach		10.9m	12.7m
Basket Size	6ft	1.76m×0.72m×1.1m	
	8ft	2.36m×0.86m×1.1m	
Basket Rotator		180degree	
BOOM			
Type		3 stage synchronized telescopic action	
Boom Length		5.24m—11.29m	
Extension Speed		30s	
Retraction Speed		25s	
Boom Angle		-7~70degree	
Elevation Speed		45s	
FLY JIB ARTICULATION			
Length		-	1.75m
Articulating Angle		-	-70~60degree
Elevation Speed (up)		-	25s
Elevation Speed (down)		-	20s
ROTATION DEVICE			
Angle		360degrees (continuous)	
Speed		30s (360degree)	
TRAVEL DEVICE			
Speed (Max)		2.6km/h (Stowed) 0.8km/h (Lifted)	
Gradeability		57.7% (30degrees)	
DIMENSION			
A Overall Width		2,30m	
B Overall Height		1.72m	2.44m
C Overall Length		6.86m	7.55m
D Ground Clearance		335mm	
Vehicle Weight		7,675kg	8,510kg
POWER SOURCE			
Engine		YANMAR 4TNV88 (Diesel)	
Fuel Tank Capacity		120L	
Hydraulic Tank Capacity		200L	
OPTIONAL EQUIPMENTS			
8feet basket			