



Electric Self-propelled Scissor Lift

GS™-1530 GS™-1532
GS™-1930 GS™-1932

Nothing beats
a Genie Scissor
for performance,
safety, serviceability
and value.



Genie Industries

GS-1530 and GS-1532 GS-1930 and GS-1932

- The solid steel deck platform has a **slip-resistant surface**.
- Heavy duty tubular steel guardrails **maximise durability**. Telescopic end rail can be raised to **accommodate large loads**.
- **Lubrication-free, service-free pivot points**.
- **Built-in lanyard attachment points**.
- The ergonomic Joystick Controller operates from the platform or the ground.
- **Low noise level** allows operation in quiet work environments.
- High angle steering provides **excellent manoeuvrability**.
- Swing-out battery box and power module allow **easy access to componentry**.

- Variable speed motor **extends battery and motor life** by using only the energy needed to do the required work.
- On-board troubleshooting diagnostics **notify the operators of possible fault conditions**.

Standard Features

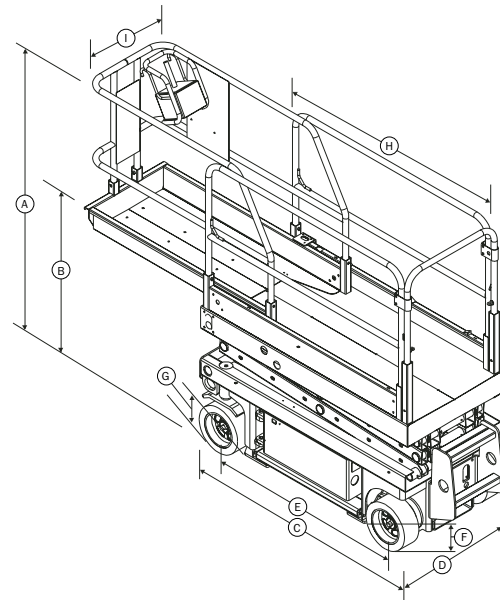
- 91 cm roll-out platform extension
- Compact design
- Automatic 25 amp battery charger
- Proportional controls for lift and drive functions
- Multiple disc brakes provide smooth deceleration
- Drive speed interlock limits speed while elevated
- Emergency stop at both platform and ground controls
- Manual platform lowering valve
- Manual brake release
- Pothole guards
- Non-marking tyres
- Tilt level sensor with an audible alarm
- Beeper horn
- Hour meter

Options and Accessories

- Motion alarm
- Air line to platform
- Platform swing gate
- Dual flashing beacon
- Maintenance-free battery

Standards Compliance

- CE EN280
- Fully certified load sensor



Specifications

Model	GS-1530	GS-1532	GS-1930	GS-1932
Working height	6.6 m	6.6 m	7.8 m	7.8 m
Platform height	4.6 m	4.6 m	5.8 m	5.8 m
(A) Height-stowed (guardrails)	2.03 m	2.03 m	2.11 m	2.11 m
(B) Height-stowed (platform)	97 cm	97 cm	1 m	1 m
(C) Length-stowed	1.82 m	1.82 m	1.82 m	1.82 m
(D) Width	76 cm	81.3 cm	76 cm	81.3 cm
(E) Wheelbase	1.32 m	1.32 m	1.32 m	1.32 m
(F) Ground clearance	6.1 cm	6.1 cm	6.1 cm	6.1 cm
(G) Pothole guards deployed	1.9 cm	1.9 cm	1.9 cm	1.9 cm
(H) Platform length-outside	1.64 m	1.64 m	1.64 m	1.64 m
(I) Platform width-outside	74 cm	74 cm	74 cm	74 cm
Platform length-extended	2.63 m	2.54 m	2.63 m	2.54 m
Guardrail height	1.1 m	1.1 m	1.1 m	1.1 m
Toeboard height	15 cm	15 cm	15 cm	15 cm
Lift capacity	272 kg	272 kg	227 kg	227 kg
Turning radius outside	1.55 m	1.55 m	1.55 m	1.55 m
Turning radius inside	zero	zero	zero	zero
Power source	24V (4 6V 245AH batteries)			
Drive speed - stowed (max)	4 km/h	4 km/h	4 km/h	4 km/h
Drive speed - raised (max)	0.8 km/h	0.8 km/h	0.8 km/h	0.8 km/h
Raise/lower speed	16/17 sec	16/17 sec	16/23 sec	16/23 sec
Controls	proportional	proportional	proportional	proportional
Tyres (solid rubber, non-marking)	30 x 11 x 20 cm			
Gradeability	30%	30%	30%	30%
Drive	dual front wheel		dual front wheel	
Multiple disc brakes	dual rear wheel		dual rear wheel	
Pothole protection	standard		standard	
Weight*	1,233 kg	1,238 kg	1,498 kg	1,498 kg

*Weight will vary depending on options and/or country standards.

Distributed By:

Genie Industries

GENIE SCANDINAVIA

Tagenevägen 72
425 37 Hising Kärra
Sweden
Telephone +46 31 57 51 00
Fax +46 31 57 90 20
WEB www.genieindustries.com
Email: infoeurope@genieind.com

GENIE UNITED STATES

18340 NE 76th Street
P.O. Box 97030
Redmond, Washington 98073-9730
Telephone +1 (425) 881 1800
Fax +1 (425) 883 3475
WEB www.genieindustries.com