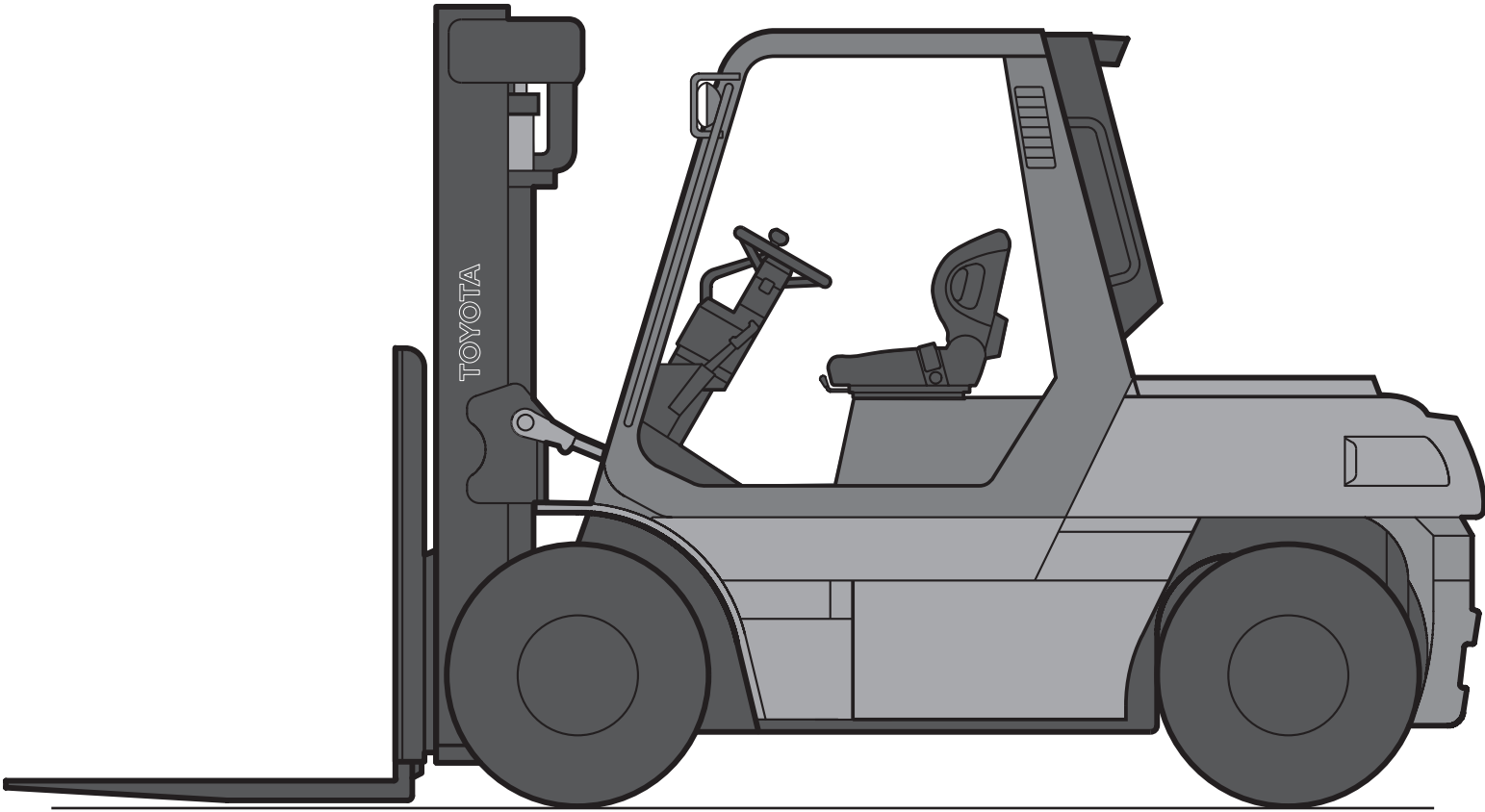


5FG/5FD

5.0 to 8.0 ton
Engine Powered Forklift



5,000 - 6,000 kg

MAIN VEHICLE SPECIFICATIONS

Characteristics	1.1	Manufacturer			TOYOTA	TOYOTA	TOYOTA	
	1.2	Model			5FG50	5FG60	50-5FD60	
	1.3	Power			gasoline	gasoline	diesel	
	1.4	Operator Type			rider seated	rider seated	rider seated	
	1.5	Load capacity/rated load	Q	kg	5000	6000	6000	
	1.6	Load centre	c	mm	600	600	600	
	1.8	Load distance, centre of drive axle to fork	x	mm	590	590	590	
	1.9	Wheelbase	y	mm	2250	2250	2250	
	Weight	2.1	Truck weight		kg	8050	8570	8770
2.2		Axle loadings, laden front/rear		kg	11660/1390	13090/1480	13200/1570	
2.3		Axle loadings, unladen front/rear		kg	4020/4030	3920/4650	4030/4740	
Tyres, chassis	3.1	Tyres - pneumatic (P), pneumatic shaped cushion (SE), solid rubber (R)			P	P	P	
	3.2	Tyre size - front			8.25-15-12PR (I)	8.25-15-12PR (I)	8.25-15-12PR (I)	
	3.3	Tyre size - rear			8.25-15-12PR (I)	8.25-15-12PR (I)	8.25-15-12PR (I)	
	3.5	Wheels - number front/rear (x = driven wheels)			4x/2	4x/2	4x/2	
	3.6	Tread - front	b ₁₀	mm	1490	1490	1490	
	3.7	Tread - rear	b ₁₁	mm	1670	1670	1670	
	Dimensions	4.1	Tilt of mast/fork carriage forward/backward	α/β	deg	10/12	10/12	10/12
4.2		Height, mast lowered	h ₁	mm	2515	2515	2515	
4.3		Free lift	h ₂	mm	210	210	210	
4.4		Lift	h ₃	mm	3000	3000	3000	
4.5		Height, mast extended	h ₄	mm	4370	4370	4370	
4.7		Height of overhead guard	h ₆	mm	2440	2440	2440	
4.8		Seat height	h ₇	mm	1390	1390	1390	
4.12		Coupling height	h ₁₀	mm	430	430	430	
4.19		Overall length	l ₁	mm	4680	4725	4725	
4.20		Length to face of forks	l ₂	mm	3460	3505	3505	
4.21		Overall width	b ₁	mm	1995	1995	1995	
4.22		Fork dimensions	s/e/l	mm	63/150/1220	63/150/1220	63/150/1220	
4.23		Fork carriage DIN 15 173, class/type A,B			IV	IV	IV	
4.24		Fork carriage width	b ₃	mm	1700	1700	1700	
4.31		Ground clearance, laden, below mast	m ₁	mm	205	205	205	
4.32		Ground clearance, centre of wheelbase	m ₂	mm	235	235	235	
4.33		Aisle width for pallets 1000x1200 wide*	A _{st}	mm	5140	5140	5140	
4.34		Aisle width for pallets 800x1200 long*	A _{st}	mm	5340	5340	5340	
4.35	Turning radius	W _a	mm	3350	3350	3350		
4.36	Internal turning radius	b ₁₃	mm	1357.5	1357.5	1357.5		
Performance	5.1	Travel speed, laden/unladen		km/h	23/25	23/25	30/33	
	5.2	Lift speed, laden/unladen		m/s	0.42/0.47	0.42/0.47	0.49/0.54	
	5.3	Lowering speed, laden/unladen		m/s	0.40/0.50	0.40/0.50	0.40/0.50	
	5.6	Max. drawbar pull, laden/unladen		N	57000/25500	54000/25500	59000/25500	
	5.7	Gradeability, laden ¹⁾		%	22	19	31	
	5.8	Max. gradeability, laden/unladen ²⁾		%	46/28	40/26	40/23	
	5.9	Acceleration time, laden/unladen		s				
	5.10	Service brake			hydraulic	hydraulic	hydraulic	
	Engine	7.1	Engine manufacturer/type			TOYOTA 1FZ-E	TOYOTA 1FZ-E	HINO N04C
		7.2	Engine power acc to ISO 1585		kW	63	63	90
7.3		Rated speed		1/min	2350	2350	2200	
7.4		No. of cylinders/displacement		cm ³	6/4476	6/4476	4/4009	
7.5		Fuel consumption acc to VDI cycle		l/h				
Others	8.2	Operating pressure for attachments		bar	175	175	175	
	8.3	Oil volume for attachments		l/min	125	125	145	
	8.4	Sound level at the driver's ear according to EN 12 053		dB(A)	88	88	88	
	8.5	Towing coupling, type DIN						

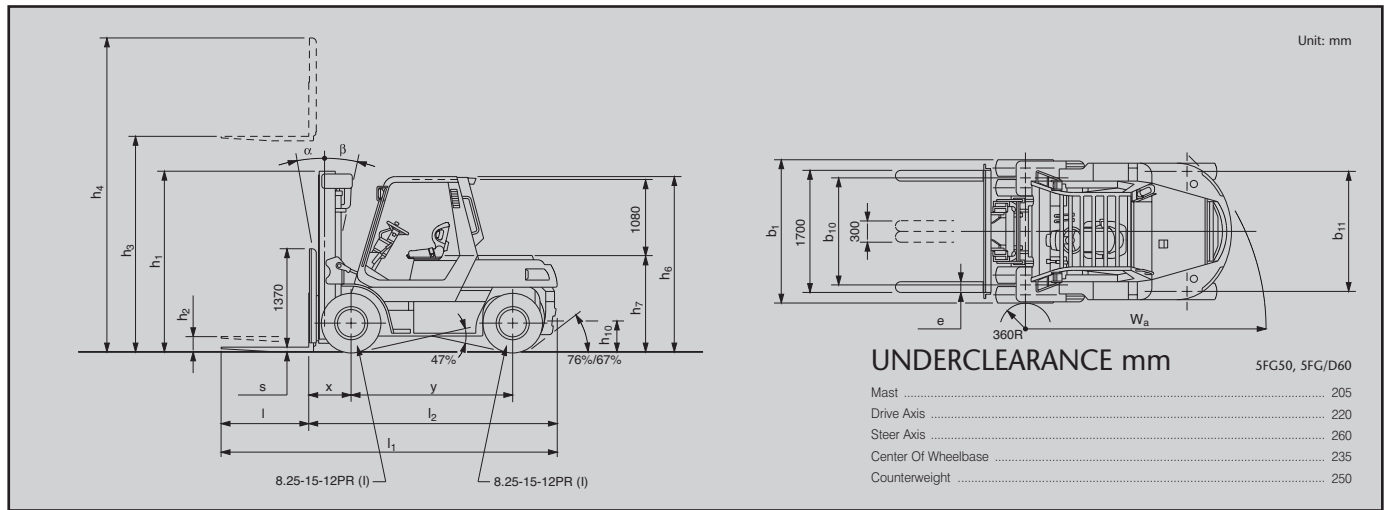
* aisle width calculation based on VDI 2198

¹⁾ At 1,5km/h.

²⁾ Computed values.

5FG50, 5FG/5FD60

DIMENSIONAL DRAWINGS



SPECIAL TREAD

Model	5FG50, 5FG/D60
Front Tyre Single/Dual	Dual
Front Tyre Size	8.25-15-12PR (I)
Overall Width	mm 1995
Tread, Front	mm 1490

MAST SPECIFICATION & RATED CAPACITIES

Model	Mast Type	Maximum Fork Height	Overall Height			Free Lift		Dual Tyre		Load Capacity at 600 mm LC
			Lowered	Extended Without Load Backrest	Extended With Standard Load Backrest	Without Load Backrest	With Standard Load Backrest	Tilt Range		
			h_3	h_1	h_4	h_2	h_2	FWD	BWD	
5FG50	V	3000	2515	-	4370	-	210	10	12 [9]	5000
		3300	2665	-	4670	-	210	10	12 [9]	5000
		3500	2765	-	4870	-	210	10	12 [9]	5000
		3700	2865	-	5070	-	210	10	12 [9]	5000
		4000	3165	-	5370	-	210	10	12 [9]	5000
		4500	3415	-	5870	-	210	10	12 [9]	5000
		5000	3865	-	6370	-	210	10	12 [9]	5000
		5500	4115	-	6870	-	210	10	12 [9]	4750
	6000	4365	-	7370	-	210	10	12 [9]	4400	
	FSV	4000	2515	5020	5370	1560	1145	6	6	4750
		4300	2665	5365	5670	1665	1295	6	6	4750
		4700	2765	5765	6070	1765	1395	6	6	4750
		5000	2865	6065	6370	1865	1495	6	6	4750
		6000	3415	7215	7370	2265	2045	6	6	4300
		7000	3865	8215	8370	2715	2495	6	6	3500
		8000	4115	9215	9370	2965	2745	6	6	2500
5FG/D60		V	3000	2515	-	4370	-	210	10	12 [9]
	3300		2665	-	4670	-	210	10	12 [9]	6000
	3500		2765	-	4870	-	210	10	12 [9]	6000
	3700		2865	-	5070	-	210	10	12 [9]	6000
	4000		3165	-	5370	-	210	10	12 [9]	6000
	4500		3415	-	5870	-	210	10	12 [9]	6000
	5000		3865	-	6370	-	210	10	12 [9]	6000
	5500		4115	-	6870	-	210	10	12 [9]	6000
	6000	4365	-	7370	-	210	10	12 [9]	5700	
	FSV	4000	2515	5020	5370	1560	1145	6	6	5700
		4300	2665	5365	5670	1665	1295	6	6	5700
		4700	2765	5765	6070	1765	1395	6	6	5500
		5000	2865	6065	6370	1865	1495	6	6	5500
		6000	3415	7215	7370	2265	2045	6	6	5200
		7000	3865	8215	8370	2715	2495	6	6	3700
		8000	4115	9215	9370	2965	2745	6	6	2700

Note: Height of standard load backrest is 1370 mm.
 [] for front windshield with wiper and washer.
 Lower fork heights available.

7,000 kg

MAIN VEHICLE SPECIFICATIONS

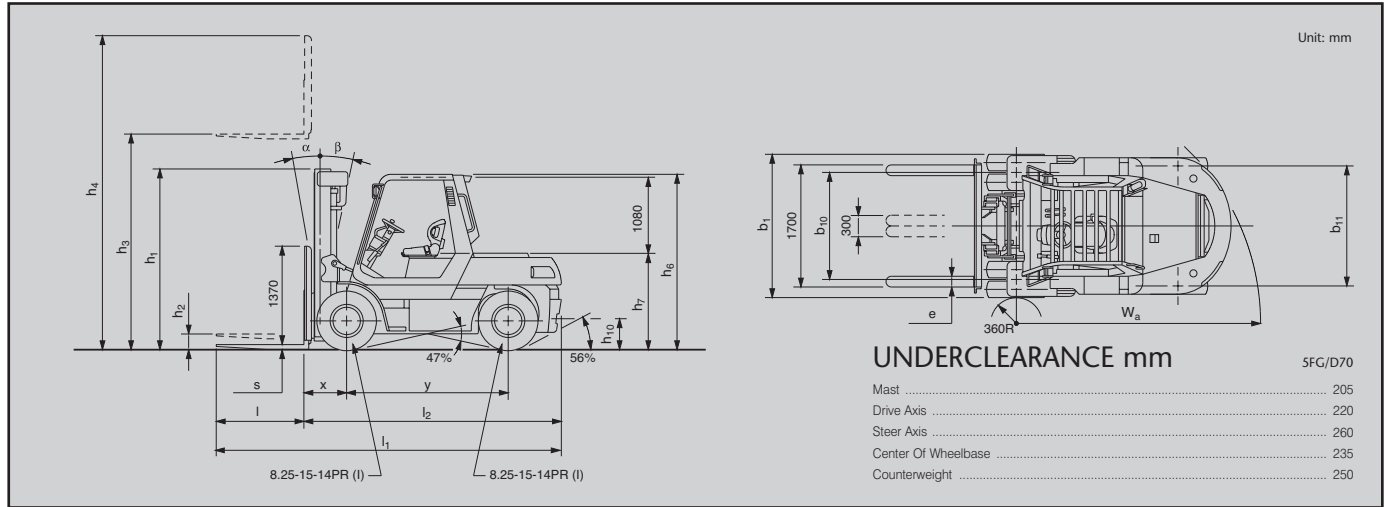
Characteristics	1.1	Manufacturer			TOYOTA	TOYOTA	
	1.2	Model			5FG70	50-5FD70	
	1.3	Power			gasoline	diesel	
	1.4	Operator Type			rider seated	rider seated	
	1.5	Load capacity/rated load	Q	kg	7000	7000	
	1.6	Load centre	c	mm	600	600	
	1.8	Load distance, centre of drive axle to fork	x	mm	595	595	
	1.9	Wheelbase	y	mm	2250	2250	
	Weight	2.1	Truck weight		kg	9330	9530
2.2		Axle loadings, laden front/rear		kg	14590/1740	14710/1820	
2.3		Axle loadings, unladen front/rear		kg	3870/5460	3990/5540	
Tyres, chassis	3.1	Tyres - pneumatic (P), pneumatic shaped cushion (SE), solid rubber (R)			P	P	
	3.2	Tyre size - front			8.25-15-14PR (I)	8.25-15-14PR (I)	
	3.3	Tyre size - rear			8.25-15-14PR (I)	8.25-15-14PR (I)	
	3.5	Wheels - number front/rear (x = driven wheels)			4x/2	4x/2	
	3.6	Tread - front	b ₁₀	mm	1490	1490	
	3.7	Tread - rear	b ₁₁	mm	1670	1670	
	Dimensions	4.1	Tilt of mast/fork carriage forward/backward	α/β	deg	10/12	10/12
4.2		Height, mast lowered	h ₁	mm	2515	2515	
4.3		Free lift	h ₂	mm	215	215	
4.4		Lift	h ₃	mm	3000	3000	
4.5		Height, mast extended	h ₄	mm	4370	4370	
4.7		Height of overhead guard	h ₆	mm	2440	2440	
4.8		Seat height	h ₇	mm	1390	1390	
4.12		Coupling height	h ₁₀	mm	430	430	
4.19		Overall length	l ₁	mm	4805	4805	
4.20		Length to face of forks	l ₂	mm	3585	3585	
4.21		Overall width	b ₁	mm	1995	1995	
4.22		Fork dimensions	s/e/l	mm	68/150/1220	68/150/1220	
4.23		Fork carriage DIN 15 173, class/type A,B			IV	IV	
4.24		Fork carriage width	b ₃	mm	1700	1700	
4.31		Ground clearance, laden, below mast	m ₁	mm	205	205	
4.32		Ground clearance, centre of wheelbase	m ₂	mm	235	235	
4.33		Aisle width for pallets 1000x1200 wide*	A _{st}	mm	5195	5195	
4.34		Aisle width for pallets 800x1200 long*	A _{st}	mm	5395	5395	
4.35	Turning radius	W _a	mm	3400	3400		
4.36	Internal turning radius	b ₁₃	mm	1357.5	1357.5		
Performance	5.1	Travel speed, laden/unladen		km/h	23/25	30/33	
	5.2	Lift speed, laden/unladen		m/s	0.42/0.47	0.49/0.54	
	5.3	Lowering speed, laden/unladen		m/s	0.40/0.50	0.40/0.50	
	5.6	Max. drawbar pull, laden/unladen		N	5400/25500	59000/25500	
	5.7	Gradeability, laden ¹⁾		%	19	23	
	5.8	Max. gradeability, laden/unladen ²⁾		%	35/21	35/21	
	5.9	Acceleration time, laden/unladen		s			
	5.10	Service brake			hydraulic	hydraulic	
	Engine	7.1	Engine manufacturer/type			TOYOTA 1FZ-E	HINO N04C
		7.2	Engine power acc to ISO 1585		kW	63	90
7.3		Rated speed		1/min	2350	2200	
7.4		No. of cylinders/displacement		cm ³	6/4476	4/4009	
7.5		Fuel consumption acc to VDI cycle		l/h			
Others	8.2	Operating pressure for attachments		bar	200	200	
	8.3	Oil volume for attachments		l/min	125	145	
	8.4	Sound level at the driver's ear according to EN 12 053		dB(A)	88	88	
	8.5	Towing coupling, type DIN					

* aisle width calculation based on VDI 2198

¹⁾ At 1,5km/h.

²⁾ Computed values.

DIMENSIONAL DRAWINGS



SPECIAL TREAD

Model	5FG/D70	
Front Tyre Single/Dual	Dual	
Front Tyre Size	8.25-15-14PR (I)	
Overall Width	mm	1995
Tread, Front	mm	1490

MAST SPECIFICATION & RATED CAPACITIES

Model	Mast Type	Maximum Fork Height	Overall Height				Free Lift		Tilt Range		Load Capacity at 600 mm LC
			Lowered	Extended Without Load Backrest	Extended With Standard Load Backrest	Without Load Backrest	With Standard Load Backrest	FWD deg	BWD deg		
			h_3	h_1	h_4	h_4	h_2			h_2	
5FG/D70	V	3000	2515	-	4370	-	215	10	12 [6]	7000	
		3300	2665	-	4670	-	215	10	12 [9]	7000	
		3500	2765	-	4870	-	215	10	12 [9]	7000	
		3700	2865	-	5070	-	215	10	12 [9]	7000	
		4000	3165	-	5370	-	215	10	12 [9]	7000	
		4500	3415	-	5870	-	215	10	12 [9]	7000	
		5000	3865	-	6370	-	215	10	12 [9]	7000	
		5500	4115	-	6870	-	215	10	12 [9]	6700	
	6000	4365	-	7370	-	215	10	12 [9]	6500		
	FSV	4000	2515	5020	5370	1560	1145	6	6	6700	
		4300	2665	5365	5670	1665	1295	6	6	6700	
		4700	2765	5765	6070	1765	1395	6	6	6700	
		5000	2865	6065	6370	1865	1495	6	6	6700	
		6000	3415	7215	7370	2265	2045	6	6	5700	
7000		3865	8215	8370	2715	2495	6	6	4000		
8000	4115	9215	9370	2965	2745	6	6	3000			

Note: Height of standard load backrest is 1370 mm.
 [] for front windshield with wiper and washer.
 Lower fork heights available.

8000 kg

MAIN VEHICLE SPECIFICATIONS

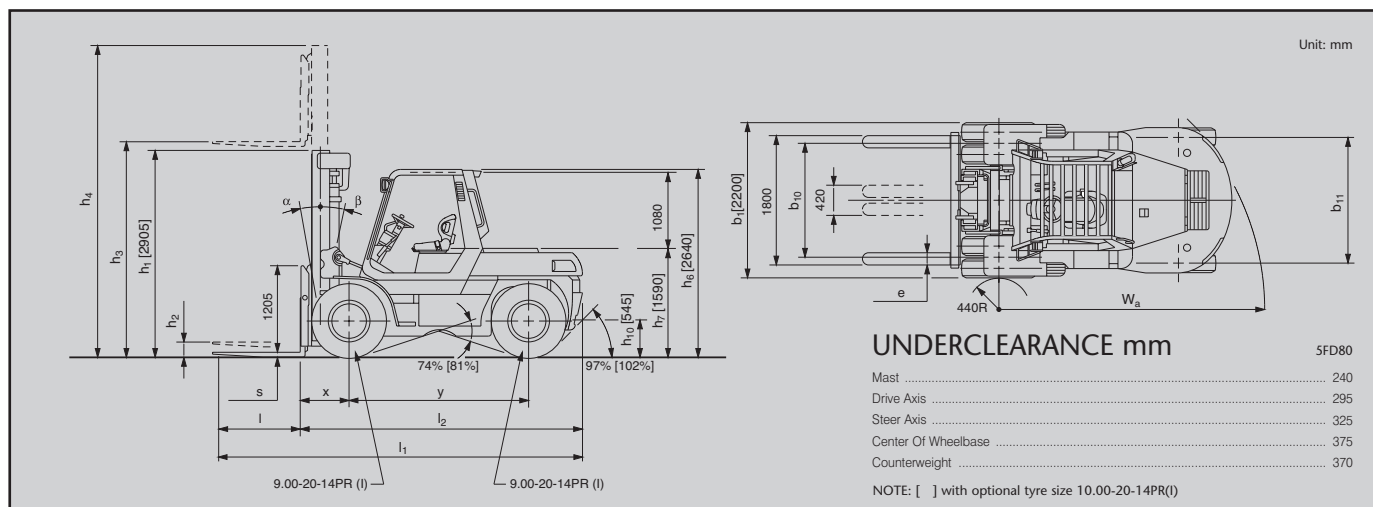
Characteristics	1.1	Manufacturer			TOYOTA	
	1.2	Model			5FD80	
	1.3	Power			diesel	
	1.4	Operator Type			rider seated	
	1.5	Load capacity/rated load	Q	kg	8000	
	1.6	Load centre	c	mm	600	
	1.8	Load distance, centre of drive axle to fork	x	mm	680	
	1.9	Wheelbase	y	mm	2500	
	Weight	2.1	Truck weight		kg	11220
2.2		Axle loadings, laden front/rear		kg	17210/2010	
2.3		Axle loadings, unladen front/rear		kg	5110/6110	
Tyres, chassis	3.1	Tyres - pneumatic (P), pneumatic shaped cushion (SE), solid rubber (R)			P	
	3.2	Tyre size - front			9.00-20-14PR (I)	
	3.3	Tyre size - rear			9.00-20-14PR (I)	
	3.5	Wheels - number front/rear (x = driven wheels)			4x/2	
	3.6	Tread - front	b ₁₀	mm	1585	
	3.7	Tread - rear	b ₁₁	mm	1750	
	Dimensions	4.1	Tilt of mast/fork carriage forward/backward	α/β	deg	10/12
4.2		Height, mast lowered	h ₁	mm	2880	
4.3		Free lift	h ₂	mm	210	
4.4		Lift	h ₃	mm	3000	
4.5		Height, mast extended	h ₄	mm	4340	
4.7		Height of overhead guard	h ₆	mm	2615	
4.8		Seat height	h ₇	mm	1565	
4.12		Coupling height	h ₁₀	mm	520	
4.19		Overall length	l ₁	mm	5150	
4.20		Length to face of forks	l ₂	mm	3930	
4.21		Overall width	b ₁	mm	2160	
4.22		Fork dimensions	s/e/l	mm	68/170/1220	
4.23		Fork carriage DIN 15 173, class/type A,B			-	
4.24		Fork carriage width	b ₃	mm	1800	
4.31		Ground clearance, laden, below mast	m ₁	mm	240	
4.32		Ground clearance, centre of wheelbase	m ₂	mm	375	
4.33		Aisle width for pallets 1000x1200 wide*	A _{st}	mm	5580	
4.34		Aisle width for pallets 800x1200 long*	A _{st}	mm	5780	
4.35	Turning radius	W _a	mm	3700		
4.36	Internal turning radius	b ₁₃	mm	1520		
Performance	5.1	Travel speed, laden/unladen		km/h	29/32	
	5.2	Lift speed, laden/unladen		m/s	0.40/0.43	
	5.3	Lowering speed, laden/unladen		m/s	0.40/0.50	
	5.6	Max. drawbar pull, laden/unladen		N	59000/28400	
	5.7	Gradeability, laden ¹⁾		%	20	
	5.8	Max. gradeability, laden/unladen ²⁾		%	31/23	
	5.9	Acceleration time, laden/unladen		s		
	5.10	Service brake			hydraulic	
	Engine	7.1	Engine manufacturer/type			HINO N04C
		7.2	Engine power acc to ISO 1585		kW	90
7.3		Rated speed		1/min	2200	
7.4		No. of cylinders/displacement		cm ³	4/4009	
7.5		Fuel consumption acc to VDI cycle		l/h		
Others	8.2	Operating pressure for attachments		bar	185	
	8.3	Oil volume for attachments		l/min	145	
	8.4	Sound level at the driver's ear according to EN 12 053		dB(A)	88	
	8.5	Towing coupling, type DIN				

* aisle width calculation based on VDI 2198

¹⁾ At 1,5km/h.

²⁾ Computed values.

DIMENSIONAL DRAWINGS



SPECIAL TREAD

Model	5FD80	
Front Tyre Single/Dual	Dual	Dual
Front Tyre Size	9.00-20-14PR (I)	10.00-20-14PR (I)
Overall Width	mm 2160	2200
Tread, Front	mm 1585	1585

MAST SPECIFICATION & RATED CAPACITIES

Model	Mast Type	Maximum Fork Height	Overall Height		Free Lift	Dual Tyre		Load Capacity at 600 mm LC
			*Lowered	Extended		Tilt Range		
			h_3	h_1		h_4	h_2	
		mm	mm	mm	mm	deg	deg	kg
5FD80	V	3000	2880	4340	210	10	12 [10]	8000
		3300	3030	4640	210	10	12 [10]	8000
		3500	3130	4840	210	10	12 [10]	8000
		3700	3230	5040	210	10	12 [12]	8000
		4000	3380	5340	210	10	12 [12]	8000
		4500	3630	5840	210	10	12 [12]	8000
		5000	4080	6510	210	10	12 [12]	8000
		5500	4330	7010	210	10	12 [12]	7700
		6000	4580	7510	210	10	12 [12]	7500

Note: [] for front windshield with wiper and washer.
 * with optional tyre size 10.00-20-14PR(I), plus 25 mm.
 Lower fork heights available.

5FG50.60.70 5FD60.70.80

- Toyota OPS (Operator Presence Sensing)
- Toyota ORS (Operator Restraint System) seat
- Wide visible mast [MFH: 3000 mm]
- Load backrest [Height: 1370 mm]
- Long forks [Length: 1220 mm]
- Long forkbar [Length: 1700 mm (5FG50, 5FG/D60.70), 1800 mm (5FD80)]
- 2-way valve
- Pneumatic tyres
- Full hydraulic power steering
- 8" Cyclone air cleaner with snorkel air intake
- Upswept exhaust
- Headlights
- Combination meter including self diagnostic system
- Tilt steering column

Specifications are based on Toyota testing standards.
Operating performance may vary depending on the actual specification and condition of the truck as well as the condition of the operating area.
Continuous improvements make it necessary for us to reserve the right to make specification and equipment changes.
Specifications are subject to manufacturing tolerances. Availability and specifications are determined regionally. Please consult your Toyota representative for more details.