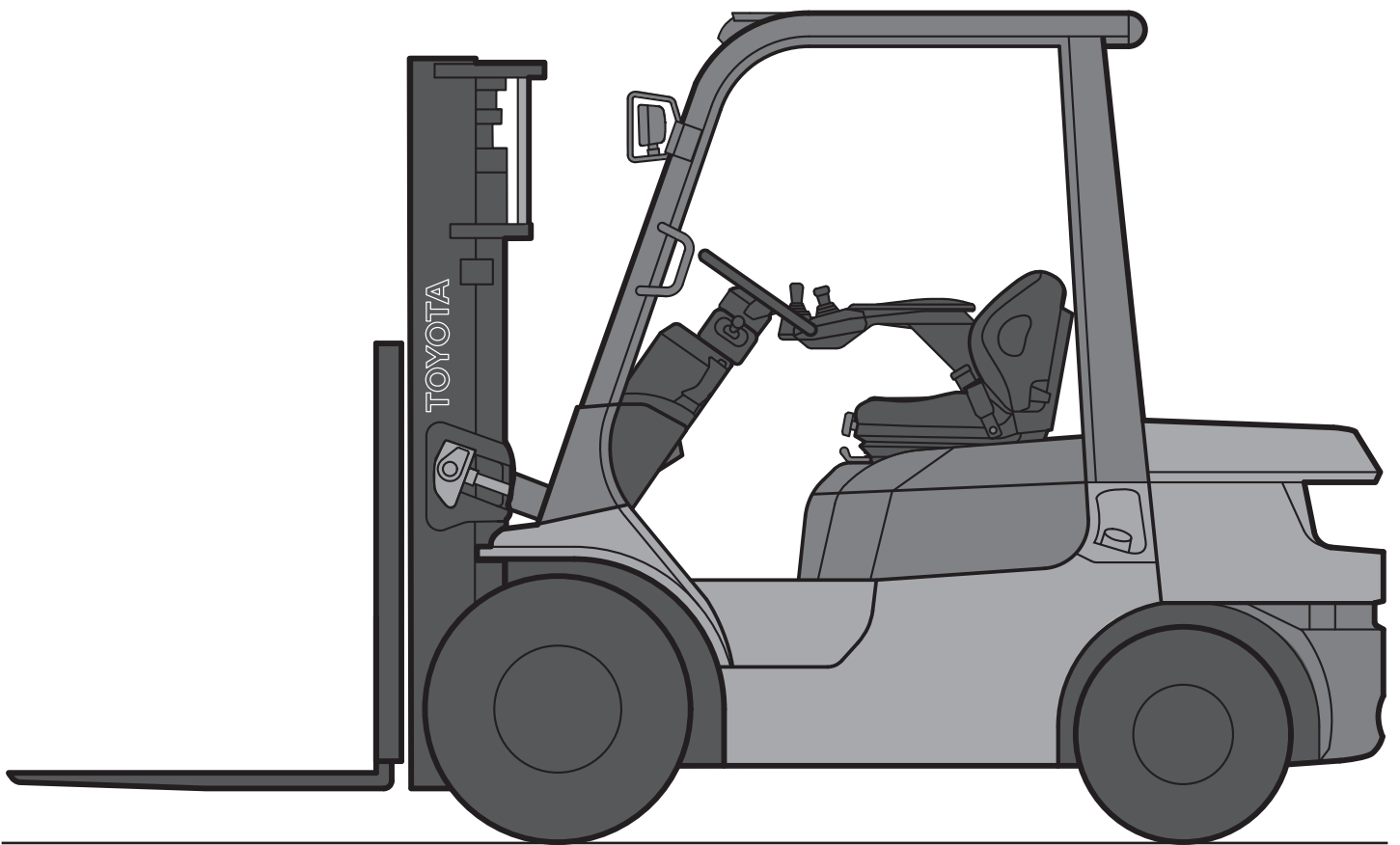


7FG/7FD

3.5 to 5.0 ton
Engine Powered Forklift



3,500 kg

MAIN VEHICLE SPECIFICATIONS

Characteristics	1.1	Manufacturer			TOYOTA	TOYOTA	
	1.2	Model			02-7FG35	42-7FD35	
	1.3	Power			gasoline	diesel	
	1.4	Operator Type			rider seated	rider seated	
	1.5	Load capacity/rated load	Q	kg	4000 [3500]	4000 [3500]	
	1.6	Load centre	c	mm	500 [600]	500 [600]	
	1.8	Load distance, centre of drive axle to fork	x	mm	520	520	
	1.9	Wheelbase	y	mm	1840	1840	
	Weight	2.1	Truck weight		kg	5680	5810
2.2		Axle loadings, laden front/rear		kg	8610/1070 ¹⁾	8650/1160 ¹⁾	
2.3		Axle loadings, unladen front/rear		kg	2390/3290	2430/3380	
Tyres, chassis	3.1	Tyres - pneumatic (P), pneumatic shaped cushion (SE), solid rubber (R)			P	P	
	3.2	Tyre size - front			250-15-16PR(I)	250-15-16PR(I)	
	3.3	Tyre size - rear			7.00-12-12PR(I)	7.00-12-12PR(I)	
	3.5	Wheels - number front/rear (x = driven wheels)			2x/2	2x/2	
	3.6	Tread - front	b ₁₀	mm	1115	1115	
	3.7	Tread - rear	b ₁₁	mm	1090	1090	
	Dimensions	4.1	Tilt of mast/fork carriage forward/backward	α/β	deg	6/12	6/12
4.2		Height, mast lowered	h ₁	mm	2110	2110	
4.3		Free lift	h ₂	mm	110	110	
4.4		Lift	h ₃	mm	3000	3000	
4.5		Height, mast extended	h ₄	mm	4220	4220	
4.7		Height of overhead guard	h ₆	mm	2190	2190	
4.8		Seat height	h ₇	mm	1110	1110	
4.12		Coupling height	h ₁₀	mm	370	370	
4.19		Overall length	l ₁	mm	4005	3975	
4.20		Length to face of forks	l ₂	mm	2935	2905	
4.21		Overall width	b ₁	mm	1350	1350	
4.22		Fork dimensions	s/e/l	mm	50/140/1070	50/140/1070	
4.23		Fork carriage DIN 15 173, class/type A,B			III	III	
4.24		Fork carriage width	b ₃	mm	1170	1170	
4.31		Ground clearance, laden, below mast	m ₁	mm	140	140	
4.32		Ground clearance, centre of wheelbase	m ₂	mm	190	190	
4.33		Aisle width for pallets 1000x1200 wide*	A _{st}	mm	4330	4310	
4.34		Aisle width for pallets 800x1200 long*	A _{st}	mm	4530	4510	
4.35		Turning radius	W _a	mm	2610	2590	
4.36		Internal turning radius	b ₁₃	mm	840	840	
Performance	5.1	Travel speed, laden/unladen		km/h	24/24.5	24/24	
	5.2	Lift speed, laden/unladen		m/s	0.51/0.55	0.51/0.55	
	5.3	Lowering speed, laden/unladen		m/s	0.50/0.55	0.50/0.55	
	5.6	Max. drawbar pull, laden/unladen		N	35300/13700	35300/13700	
	5.7	Gradeability, laden ²⁾		%	38	39	
	5.8	Max. gradeability, laden/unladen ³⁾		%	42/22	43/21	
	5.9	Acceleration time, laden/unladen		s			
	5.10	Service brake			hydraulic	hydraulic	
	Engine	7.1	Engine manufacturer/type			TOYOTA 1FZ-E	TOYOTA 15Z
		7.2	Engine power acc to ISO 1585		kW	63	55
7.3		Rated speed		1/min	2350	2100	
7.4		No. of cylinders/displacement		cm ³	6/4476	6/5204	
7.5		Fuel consumption acc to VDI cycle		l/h			
Others	8.2	Operating pressure for attachments		bar	181	181	
	8.3	Oil volume for attachments		l/min	95	98	
	8.4	Sound level at the driver's ear according to EN 12 053		dB(A)	82	83	
	8.5	Towing coupling, type DIN					

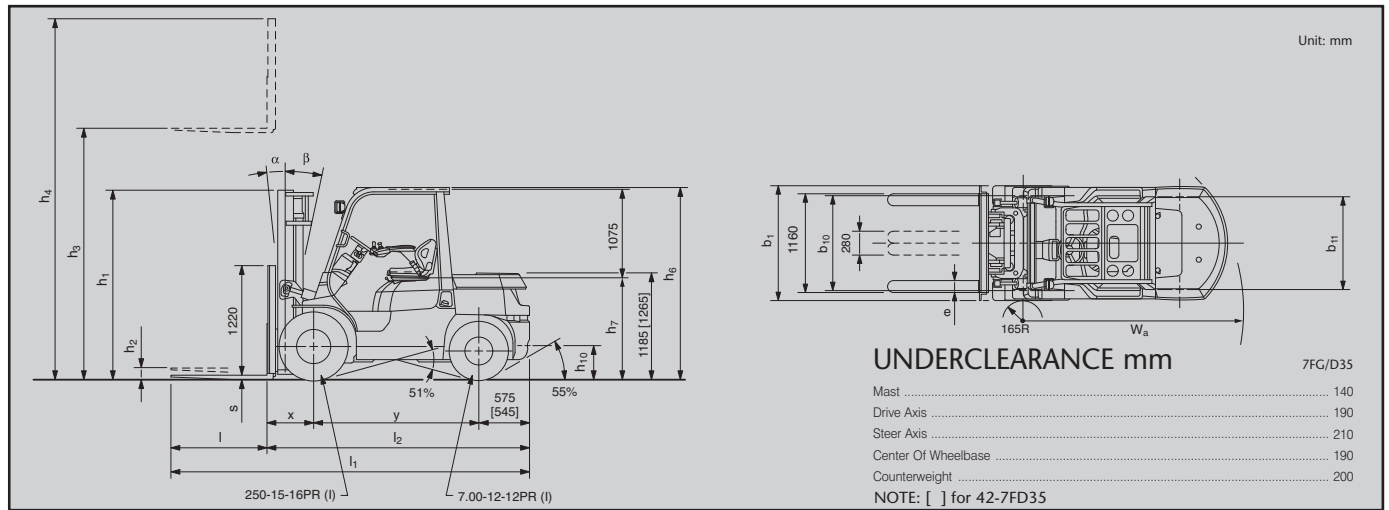
* aisle width calculation based on VDI 2198

¹⁾ With 600 mm load center: 7FG35 = 8020/1160 mm; 7FD35 = 8070/1240 mm

²⁾ At 1,5km/h

³⁾ Computed values

DIMENSIONAL DRAWINGS



SPECIAL TREAD

Model	7FG/7FD35		
Front Tyre Single/Dual	Single	Single	Dual
Front Tyre Size	250-15-16PR (l)	28x12.5-15-18PR (l)	28x8-15-12PR (l)
Overall Width	mm 1350	1450	1690
Tread, Front	mm 1155	1150	1260

MAST SPECIFICATION & RATED CAPACITIES

Model	Mast Type	Maximum Fork Height h_3	Overall Height		Free Lift		Single Tyre			Dual Tyre		
			Lowered h_1	Extended Without Load Backrest h_4	Without Load Backrest h_2	With Standard Load Backrest h_2	Tilt Range		Load Capacity at 500 mm [600mm] LCP kg	Tilt Range		Load Capacity at 500 mm [600mm] LCP kg
							FWD deg	BWD deg		FWD deg	BWD deg	
7FG/D35	V	3000	2110 <2200>	3800	110	110	6	12	4000 [3500]	6	12	4000 [3500]
		3300	2290 <2350>	4100	110	110	6	12	4000 [3500]	6	12	4000 [3500]
		3500	2390 <2450>	4300	110	110	6	12	4000 [3500]	6	12	4000 [3500]
		3700	2490 <2600>	4500	110	110	6	12	4000 [3500]	6	12	4000 [3500]
		4000	2740 <2800>	4800	110	110	6	12	4000 [3500]	6	12	4000 [3500]
		4500	2990 <3050>	5300	110	110	6	12	4000 [3500]	6	12	4000 [3500]
	FV	5000	3240 <3300>	5800	110	110	6	6	<3800 [3500]> 3800 [3500] <3700 [3450]>	6	12	3800 [3500]
		3000	2110	3830	1280	890	6	12	4000 [3500]	6	12	4000 [3500]
		3300	2290	4130	1460	1070	6	12	4000 [3500]	6	12	4000 [3500]
		3500	2390	4330	1560	1170	6	12	4000 [3500]	6	12	4000 [3500]
		3700	2490	4530	1660	1270	6	12	4000 [3500]	6	12	4000 [3500]
		4000	2740	4830	1910	1520	6	12	4000 [3500]	6	12	4000 [3500]
	FSV	3700	1890	4530	1060	670	6	6	4000 [3500]	6	6	4000 [3500]
		4000	1990	4830	1160	770	6	6	4000 [3500]	6	6	4000 [3500]
		4300	2110	5130	1280	890	6	6	3800 [3500]	6	6	3800 [3500]
		4500	2225	5330	1395	1005	6	6	3700 [3500]	6	6	3700 [3500]
		4700	2290	5530	1460	1070	6	6	3700 [3500]	6	6	3700 [3500]
		5000	2390	5830	1560	1170	6	6	3600 [3400]	6	6	3600 [3400]
5500	2540	6330	1710	1320	6	6	3000 [2800]	6	6	3500 [3300]		
6000	2740	6830	1910	1520	6	6	2200 [2100]	6	6	3400 [3200]		

Note: Height of standard load backrest is 1220 mm.
 h_4 for standard load backrest is +420 mm (V), +390 mm (FV), +390 mm (FSV)
 Data between "< >" is for heavy-duty mast
 Lower fork heights available.

4,000 - 4,500 kg

MAIN VEHICLE SPECIFICATIONS

				TOYOTA	TOYOTA	TOYOTA	TOYOTA		
Characteristics	1.1	Manufacturer		TOYOTA	TOYOTA	TOYOTA	TOYOTA		
	1.2	Model		02-7FG40	42-7FD40	02-7FG45	42-7FD45		
	1.3	Power		gasoline	diesel	gasoline	diesel		
	1.4	Operator Type		rider seated	rider seated	rider seated	rider seated		
	1.5	Load capacity/rated load	Q	kg	4500 [4000]	4500 [4000]	5000 [4500]	5000 [4500]	
	1.6	Load centre	c	mm	500 [600]	500 [600]	500 [600]	500 [600]	
	1.8	Load distance, centre of drive axle to fork	x	mm	555	555	575	575	
	1.9	Wheelbase	y	mm	2000	2000	2000	2000	
	Weight	2.1	Truck weight		kg	6250	6400	6640	6820
2.2		Axle loadings, laden front/rear		kg	9560/1190 ¹⁾	9630/1270 ¹⁾	10440/1200 ¹⁾	10540/1280 ¹⁾	
2.3		Axle loadings, unladen front/rear		kg	2690/3560	2760/3640	2750/3890	2850/3970	
Tyres, chassis	3.1	Tyres - pneumatic (P), pneumatic shaped cushion (SE), solid rubber (R)			P	P	P	P	
	3.2	Tyre size - front			300-15-18PR(I)	300-15-18PR(I)	300-15-18PR(I)	300-15-18PR(I)	
	3.3	Tyre size - rear			7.00-12-12PR(I)	7.00-12-12PR(I)	7.00-12-12PR(I)	7.00-12-12PR(I)	
	3.5	Wheels - number front/rear (x = driven wheels)			2x/2	2x/2	2x/2	2x/2	
	3.6	Tread - front	b ₁₀	mm	1150	1150	1150	1150	
	3.7	Tread - rear	b ₁₁	mm	1090	1090	1090	1090	
	Dimensions	4.1	Tilt of mast/fork carriage forward/backward	α/β	deg	6/12	6/12	6/12	6/12
4.2		Height, mast lowered	h ₁	mm	2110	2110	2200	2200	
4.3		Free lift	h ₂	mm	115	115	115	115	
4.4		Lift	h ₃	mm	3000	3000	3000	3000	
4.5		Height, mast extended	h ₄	mm	4220	4220	4220	4220	
4.7		Height of overhead guard	h ₆	mm	2285	2285	2285	2285	
4.8		Seat height	h ₇	mm	1205	1205	1205	1205	
4.12		Coupling height	h ₁₀	mm	370	370	370	370	
4.19		Overall length	l ₁	mm	4150	4120	4210	4180	
4.20		Length to face of forks	l ₂	mm	3080	3050	3140	3110	
4.21		Overall width	b ₁	mm	1450	1450	1450	1450	
4.22		Fork dimensions	s/e/l	mm	55/140/1070	55/140/1070	55/140/1070	55/140/1070	
4.23		Fork carriage DIN 15 173, class/type A,B			III	III	III	III	
4.24		Fork carriage width	b ₃	mm	1170	1170	1170	1170	
4.31		Ground clearance, laden, below mast	m ₁	mm	140	140	140	140	
4.32		Ground clearance, centre of wheelbase	m ₂	mm	280	280	280	280	
4.33		Aisle width for pallets 1000x1200 wide*	A _{st}	mm	4465	4445	4535	4505	
4.34		Aisle width for pallets 800x1200 long*	A _{st}	mm	4665	4645	4735	4705	
4.35	Turning radius	W _a	mm	2710	2690	2760	2730		
4.36	Internal turning radius	b ₁₃	mm	880	880	880	880		
Performance	5.1	Travel speed, laden/unladen		km/h	24/24.5	23.5/24	23.5/24	23.5/24	
	5.2	Lift speed, laden/unladen		m/s	0.51/0.55	0.51/0.55	0.44/0.48	0.48/0.52	
	5.3	Lowering speed, laden/unladen		m/s	0.50/0.55	0.50/0.55	0.50/0.50	0.50/0.50	
	5.6	Max. drawbar pull, laden/unladen		N	36300/15700	36300/15700	36300/16700	36300/16700	
	5.7	Gradeability, laden ²⁾		%	34	35	30	32	
	5.8	Max. gradeability, laden/unladen ³⁾		%	38/22	39/22	34/22	35/22	
	5.9	Acceleration time, laden/unladen		s					
	5.10	Service brake			hydraulic	hydraulic	hydraulic	hydraulic	
	Engine	7.1	Engine manufacturer/type			TOYOTA 1FZ-E	TOYOTA 15Z	TOYOTA 1FZ-E	TOYOTA 15Z
		7.2	Engine power acc to ISO 1585		kW	63	55	63	55
7.3		Rated speed		1/min	2350	2100	2350	2100	
7.4		No. of cylinders/displacement		cm ³	6/4476	6/5204	6/4476	6/5204	
7.5		Fuel consumption acc to VDI cycle		l/h					
Others	8.2	Operating pressure for attachments		bar	181	181	181	181	
	8.3	Oil volume for attachments		l/min	95	98	95	106	
	8.4	Sound level at the driver's ear according to EN 12 053		dB(A)	82	83	82	83	
	8.5	Towing coupling, type DIN							

* aisle width calculation based on VDI 2198

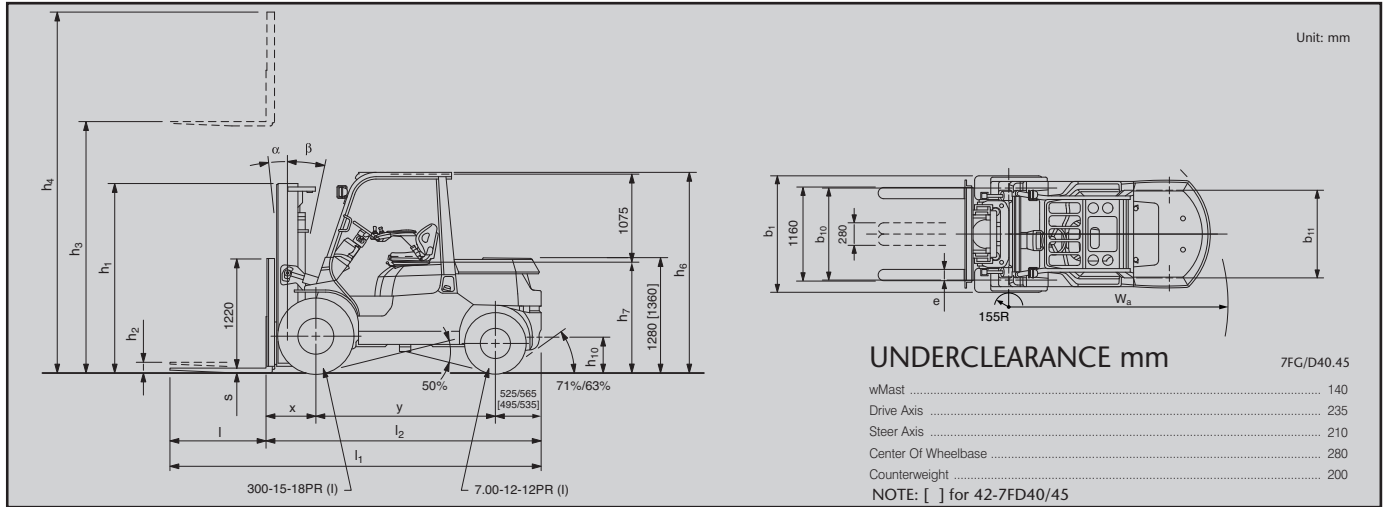
¹⁾ With 600 mm load center: 7FG40 = 9000/1250 mm; 7FD40 = 9070/1330 mm; 7FG45 = 9890/1250 mm; 7FD45 = 9990/1330 mm

²⁾ At 1,5km/h

³⁾ Computed values

7FG/D40, 7FG/D45

DIMENSIONAL DRAWINGS



SPECIAL TREAD

Model	7FG/7FD40			7FG/7FD45		
	Single	Single	Dual	Single	Single	Dual
Front Tyre Single/Dual	300-15-18PR (l)	32x12.1-15-20PR (l)	8.25-15-12PR (l)	300-15-18PR (l)	32x12.1-15-20PR (l)	8.25-15-12PR (l)
Front Tyre Size	mm	mm	mm	mm	mm	mm
Overall Width	1450	1465	1890	1445	1465	1890
Tread, Front	1150	1150	1385	1150	1150	1385

MAST SPECIFICATION & RATED CAPACITIES

Model	Mast Type	Maximum Fork Height h_3	Overall Height		Free Lift		Single Tyre			Dual Tyre		
			Lowered h_1	Extended Without Load Backrest h_4	Without Load Backrest h_2	With Standard Load Backrest h_2	Tilt Range		Load Capacity at 500 mm [600mm] LCP kg	Tilt Range		Load Capacity at 500 mm [600mm] LCP kg
							FWD deg	BWD deg		FWD deg	BWD deg	
7FG/D40	V	3000	2110 <2200>	3795	115	115	6	12	4500 [4000]	6	12	4500 [4000]
		3300	2290 <2350>	4095	115	115	6	12	4500 [4000]	6	12	4500 [4000]
		3500	2390 <2450>	4295	115	115	6	12	4500 [4000]	6	12	4500 [4000]
		3700	2490 <2600>	4495	115	115	6	12	4500 [4000]	6	12	4500 [4000]
		4000	2740 <2800>	4795	115	115	6	12	4500 [4000]	6	12	4500 [4000]
		4500	2990 <3050>	5295	115	115	6	12	4500 [4000]	6	12	4500 [4000]
	FV	5000	3240 <3300>	5795	115	115	6	6	4200 [4000]	6	12	4400 [4000]
		3000	2110	3825	1285	895	6	12	4500 [4000]	6	12	4500 [4000]
		3300	2290	4125	1465	1075	6	12	4500 [4000]	6	12	4500 [4000]
		3500	2390	4325	1565	1175	6	12	4500 [4000]	6	12	4500 [4000]
		3700	2490	4525	1665	1275	6	12	4500 [4000]	6	12	4500 [4000]
		4000	2740	4825	1915	1525	6	12	4500 [4000]	6	12	4500 [4000]
FSV	3700	1890	4525	1065	675	6	6	4500 [4000]	6	6	4500 [4000]	
	4000	1990	4825	1165	775	6	6	4500 [4000]	6	6	4500 [4000]	
	4300	2110	5125	1285	895	6	6	4500 [4000]	6	6	4500 [4000]	
	4500	2225	5325	1400	1010	6	6	4500 [4000]	6	6	4500 [4000]	
	4700	2290	5525	1465	1075	6	6	4500 [4000]	6	6	4500 [4000]	
	5000	2390	5825	1565	1175	6	6	4400 [4000]	6	6	4400 [4000]	
7FG/D45	V	5500	2540	6325	1715	1325	6	6	3500 [3500]	6	6	4200 [4000]
		6000	2740	6825	1915	1525	6	6	2700 [2700]	6	6	3300 [3300]
		3000	2200	3670	115	115	6	12	5000 [4500]	6	12	5000 [4500]
		3300	2350	3970	115	115	6	12	5000 [4500]	6	12	5000 [4500]
		3500	2450	4170	115	115	6	12	5000 [4500]	6	12	5000 [4500]
		3700	2600	4370	115	115	6	12	5000 [4500]	6	12	5000 [4500]
	FV	4000	2800	4670	115	115	6	12	5000 [4500]	6	12	5000 [4500]
		4500	3050	5170	115	115	6	6	5000 [4500]	6	12	5000 [4500]
		5000	3300	5670	115	115	6	6	4000 [4000]	6	12	4600 [4400]
		3000	2200	3700	1500	980	6	12	5000 [4500]	6	12	5000 [4500]
		3300	2350	4000	1650	1130	6	12	5000 [4500]	6	12	5000 [4500]
		3500	2450	4200	1750	1230	6	12	5000 [4500]	6	12	5000 [4500]
FSV	3700	2600	4400	1900	1380	6	12	5000 [4500]	6	12	5000 [4500]	
	4000	2800	4700	2100	1580	6	12	5000 [4500]	6	12	5000 [4500]	
	3700	2050	4400	1350	830	6	6	5000 [4500]	6	6	5000 [4500]	
	4000	2120	4700	1420	900	6	6	5000 [4500]	6	6	5000 [4500]	
	4300	2200	5000	1500	980	6	6	4900 [4500]	6	6	4900 [4500]	
	4500	2270	5200	1570	1050	6	6	4500 [4200]	6	6	4700 [4400]	
FSV	4700	2350	5400	1650	1130	6	6	4500 [4200]	6	6	4700 [4400]	
	5000	2450	5700	1750	1230	6	6	4000 [4000]	6	6	4600 [4300]	
	5500	2600	6200	1900	1380	6	6	3000 [3000]	6	6	4400 [4100]	
	6000	2800	6700	2100	1580	6	6	2300 [2300]	6	6	4200 [3900]	

Note: Height of standard load backrest is 1220 mm.
 h_4 with standard load backrest is + 425/550 mm (7FG/D40/45 V), + 395/520 mm (7FG/D40/45 FV), + 395/520 mm (7FG/D40/45 FSV)
 Data between "< >" is for heavy-duty mast
 Lower fork heights available

5,000 kg

MAIN VEHICLE SPECIFICATIONS

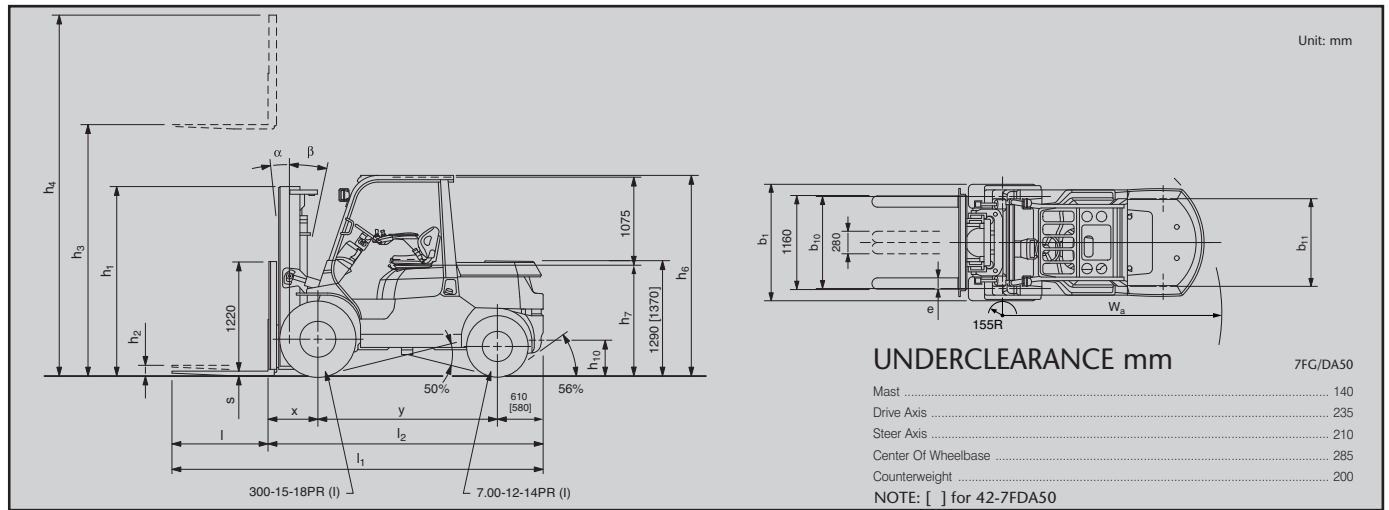
Characteristics	1.1	Manufacturer			TOYOTA	TOYOTA	
	1.2	Model			02-7FGA50	42-7FDA50	
	1.3	Power			gasoline	diesel	
	1.4	Operator Type			rider seated	rider seated	
	1.5	Load capacity/rated load	Q	kg	5000	5000	
	1.6	Load centre	c	mm	600	600	
	1.8	Load distance, centre of drive axle to fork	x	mm	570	570	
	1.9	Wheelbase	y	mm	2000	2000	
	Weight	2.1	Truck weight		kg	7260	7440
2.2		Axle loadings, laden front/rear		kg	10990/1270	11090/1350	
2.3		Axle loadings, unladen front/rear		kg	3060/4200	3160/4280	
Tyres, chassis	3.1	Tyres - pneumatic (P), pneumatic shaped cushion (SE), solid rubber (R)			P	P	
	3.2	Tyre size - front			300-15-18PR(I)	300-15-18PR(I)	
	3.3	Tyre size - rear			7.00-12-14PR(I)	7.00-12-14PR(I)	
	3.5	Wheels - number front/rear (x = driven wheels)			2x/2	2x/2	
	3.6	Tread - front	b ₁₀	mm	1150	1150	
	3.7	Tread - rear	b ₁₁	mm	1150	1150	
	Dimensions	4.1	Tilt of mast/fork carriage forward/backward	α/β	deg	6/12	6/12
4.2		Height, mast lowered	h ₁	mm	2450	2450	
4.3		Free lift	h ₂	mm	120	120	
4.4		Lift	h ₃	mm	3000	3000	
4.5		Height, mast extended	h ₄	mm	4370	4370	
4.7		Height of overhead guard	h ₆	mm	2285	2285	
4.8		Seat height	h ₇	mm	1205	1205	
4.12		Coupling height	h ₁₀	mm	370	370	
4.19		Overall length	l ₁	mm	4400	4370	
4.20		Length to face of forks	l ₂	mm	3180	3150	
4.21		Overall width	b ₁	mm	1450	1450	
4.22		Fork dimensions	s/e/l	mm	63/150/1220	63/150/1220	
4.23		Fork carriage DIN 15 173, class/type A,B			IV	IV	
4.24		Fork carriage width	b ₃	mm	1170	1170	
4.31		Ground clearance, laden, below mast	m ₁	mm	140	140	
4.32		Ground clearance, centre of wheelbase	m ₂	mm	285	285	
4.33		Aisle width for pallets 1000x1200 wide*	A _{st}	mm	4580	4550	
4.34		Aisle width for pallets 800x1200 long*	A _{st}	mm	4780	4750	
4.35		Turning radius	W _a	mm	2810	2780	
4.36		Internal turning radius	b ₁₃	mm	880	880	
Performance	5.1	Travel speed, laden/unladen		km/h	23.5/24	23.5/24	
	5.2	Lift speed, laden/unladen		m/s	0.44/0.48	0.48/0.52	
	5.3	Lowering speed, laden/unladen		m/s	0.50/0.50	0.50/0.50	
	5.6	Max. drawbar pull, laden/unladen		N	36300/17600	36300/17600	
	5.7	Gradeability, laden ¹⁾		%	28	29	
	5.8	Max. gradeability, laden/unladen ²⁾		%	31/22	32/22	
	5.9	Acceleration time, laden/unladen		s			
	5.10	Service brake			hydraulic	hydraulic	
	Engine	7.1	Engine manufacturer/type			TOYOTA 1FZ-E	TOYOTA 15Z
		7.2	Engine power acc to ISO 1585		kW	63	55
7.3		Rated speed		1/min	2350	2100	
7.4		No. of cylinders/displacement		cm ³	6/4476	6/5204	
7.5		Fuel consumption acc to VDI cycle		l/h			
Others	8.2	Operating pressure for attachments		bar	181	181	
	8.3	Oil volume for attachments		l/min	95	106	
	8.4	Sound level at the driver's ear according to EN 12 053		dB(A)	82	83	
	8.5	Towing coupling, type DIN					

* aisle width calculation based on VDI 2198

¹⁾ At 1,5km/h

²⁾ Computed values

DIMENSIONAL DRAWINGS



SPECIAL TREAD

Model	7FG/DA50		
Front Tyre Single/Dual	Single	Single	Dual
Front Tyre Size	300-15-18PR (l)	32x12.1-15-20PR (l)	8.25-15-12PR (l)
Overall Width	mm 1445	1465	1890
Tread, Front	mm 1150	1150	1385

MAST SPECIFICATION & RATED CAPACITIES

Model	Mast Type	Maximum Fork Height	Overall Height		Free Lift		Single Tyre			Dual Tyre		
			Lowered	Extended Without Load Backrest	Without Load Backrest	With Standard Load Backrest	Tilt Range		Load Capacity at 600 mm LCP	Tilt Range		Load Capacity at 600 mm LCP
			h ₁	h ₄	h ₂	h ₂	FWD	BWD		FWD	BWD	
		h ₃	mm	mm	mm	mm	deg	deg	kg	deg	deg	kg
7FG/DA50	V	3000	2450	3845	120	120	6	12	5000	6	12	5000
		3300	2600	4145	120	120	6	12	5000	6	12	5000
		3500	2800	4345	120	120	6	12	4900	6	12	5000
		3700	2800	4545	120	120	6	12	5000	6	12	5000
		4000	3050	4845	120	120	6	12	5000	6	12	5000
		4500	3300	5345	120	120	6	6	5000	6	12	5000
	FSV	5000	3550	5845	120	120	6	6	4000	6	12	4800
		3700	2200	4570	1330	830	6	6	5000	6	6	5000
		4000	2270	4870	1400	900	6	6	4900	6	6	4900
		4300	2350	5170	1480	980	6	6	4800	6	6	4800
		4700	2450	5570	1580	1080	6	6	4300	6	6	4600
		5000	2600	5870	1730	1230	6	6	4100	6	6	4500
		5500	2800	6370	1930	1430	6	6	3100	6	6	4300
		6000	3050	6870	2180	1680	6	6	2400	6	6	4100

Note: Height of standard load backrest is 1370 mm.
 h₄ with standard load backrest is + 525 mm (V), + 500 mm (FSV)
 Lower fork heights available

7FG35.40.45, 7FGA50 7FD35.40.45, 7FDA50

- Toyota SAS (System of Active Stability*)
- Toyota OPS (Operator Presence Sensing)
- Toyota ORS (Operator Restraint System) seat
- Wide visible mast [MFH: 3000 mm]
- Load backrest [Height: 1220 mm (7FG/D35.40.45); 1370 mm (7FG/DA50)]
- Long forks [Length: 1070 mm (7FG/D35.40.45); 1220 mm (7FG/DA50)]
- Long forkbar [Length: 1170 mm]
- 2-way valve
- Dual brake system
- Pneumatic tyres
- Full hydraulic power steering
- 8" cyclone air cleaner with snorkel air intake
- Headlights
- Combination meter including self diagnostic system
- Memory tilt steering column

NOTE: * When dual tyres are selected, the Active Control Rear Stabilizer function of the SAS system of Active Stability (SAS) is not included.

Specifications are based on Toyota testing standards.
Operating performance may vary depending on the actual specification and condition of the truck as well as the condition of the operating area.
Continuous improvements make it necessary for us to reserve the right to make specification and equipment changes.
Specifications are subject to manufacturing tolerances. Availability and specifications are determined regionally. Please consult your Toyota representative for more details.